



3. Determine the voltage across the 35 Ohms resistor of the circuit shown in figure 3.

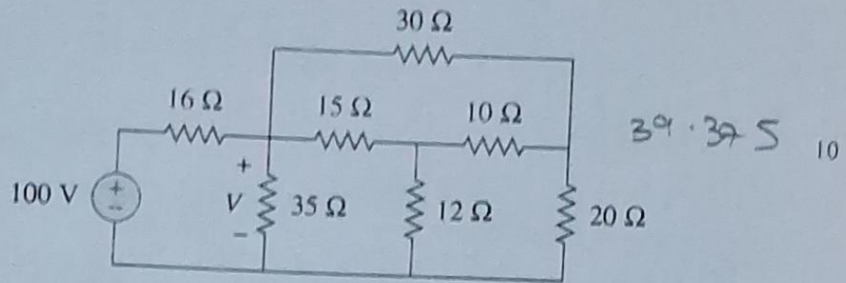


Figure 3

4. Determine  $v_o$  in the circuit shown in figure 4.

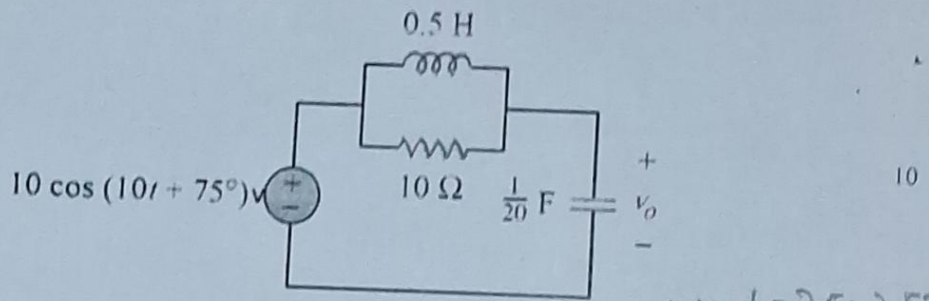


Figure 4

5. In the circuit of Figure 5,  $Z_1 = 60 \angle -30^\circ$ ,  $Z_2 = 40 \angle 45^\circ$ . Calculate the total: (a) apparent power, (b) real power.

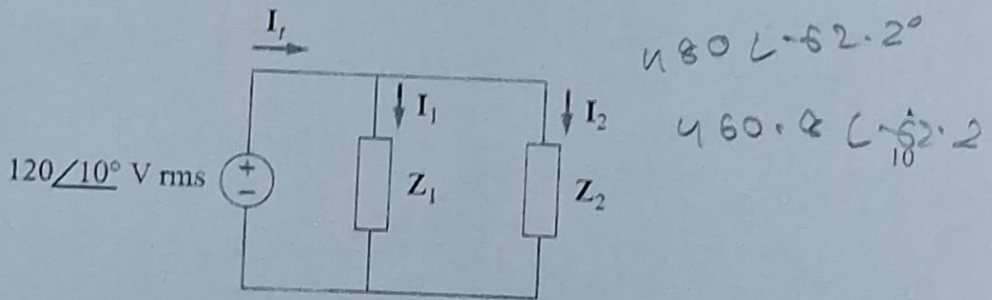


Figure 5